

4-Wire-Transmitter Stratos Multi Type E401X for Hazardous Locations

Zone 0 or Division 1

Enclosure TYPE 4X, IP66/IP67
Tamb = -20 °C to +55 °C

cFMus: Class I, Zone 2, AEx ec [ia Ga] IIC T4 Gc (US)
Class I, Zone 2, Ex ec [ia Ga] IIC T4 Gc (CA)

NI Class I, Division 2, Groups ABCD T4
IS Class I,II,III, Division 1, Groups ABCDEFG
associated apparatus / appareillage associé

Installation Notes for Hazardous Locations

The safety instructions and defined rated operating conditions must be observed when using this product.

1. The Intrinsic Safety Entity concept allows the interconnection of NRTL approved intrinsically safe devices with entity parameters not specifically examined in combination as a systems when:
 U_o or V_o or $V_t \leq V_{max}$, I_o or I_{sc} or $I_t \leq I_{max}$, $P_o \leq P_i$, C_a or $C_o \geq \sum C_i + \sum C_{cable}$. For inductance use either L_a or $L_o \geq \sum L_i + \sum L_{cable}$ or $L_e/R_e \leq (L_a/R_a$ or $L_o/R_o)$ and $L_i/R_i \leq (L_a/R_a$ or $L_o/R_o)$

2. Control equipment in division 2 installations connected to the signal terminals with defined U_m must not use or generate more than 60 Vrms or Vdc.
Control room equipment connected to the power terminals KL17 and KL 18 with defined U_m must not use or generate more than 253 Vrms or Vdc.

3. Installation shall be in accordance with ANSI/ISA RP12.06.01 (except chapter 5 for FISCO Installations).
"Installation of Intrinsically Safe Systems for Hazardous (Classified) Locations" or the National or Canadian Electrical Code as applicable. Use only cables with a temperature rating of at least 75 °C (167 °F).

4. Changes to this control drawing must be authorised by FM Approvals.

5. The intrinsically safe apparatus connecting to the Card-, MK-Module- and the Memosens-Interface, must be NRTL Approved.

6. Only NRTL certified cable glands conforming to UL2225 shall be used. Observe the installation requirements of the manufacturer.

WARNING - THE NON-INTRINSICALLY-SAFE SIGNAL INPUT/OUTPUT TERMINALS SHALL ONLY BE CONNECTED TO NON-SHOCK-HAZARD EQUIPMENT OR SYSTEMS
(FOR EXAMPLE, SELV, PELV, ES1 IN COMPLIANCE WITH IEC 62368-1)
AVERTISSEMENT - LES BORNES D'ENTRÉE/DE SORTIE DE SIGNAL À SÉCURITÉ NON INTRINSÈQUE NE DOIVENT ÊTRE CONNECTÉES QU'À DES ÉQUIPEMENTS OU SYSTÈMES NE PRÉSENTANT PAS DE RISQUE DE CHOC (PAR EXEMPLE, SELV, PELV, ES1 EN CONFORMITÉ AVEC LA NORME CEI 62368-1)

WARNING - DO NOT OPEN WHEN ENERGIZED
AVERTISSEMENT - NE PAS OUVRIR SOUS TENSION

WARNING - POTENTIAL ELECTROSTATIC CHARGING HAZARD - SEE INSTRUCTIONS
AVERTISSEMENT - DANGER POTENTIEL DE CHARGES ÉLECTROSTATIQUES - VOIR INSTRUCTIONS

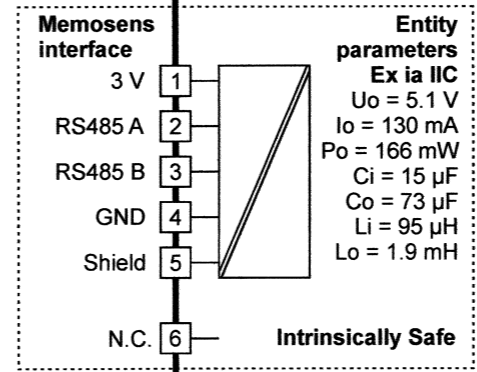
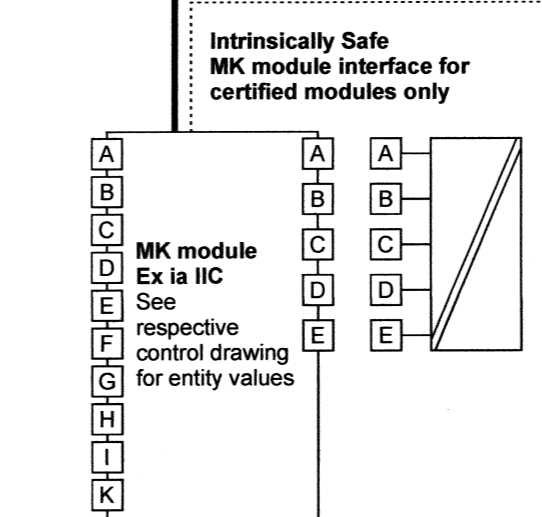
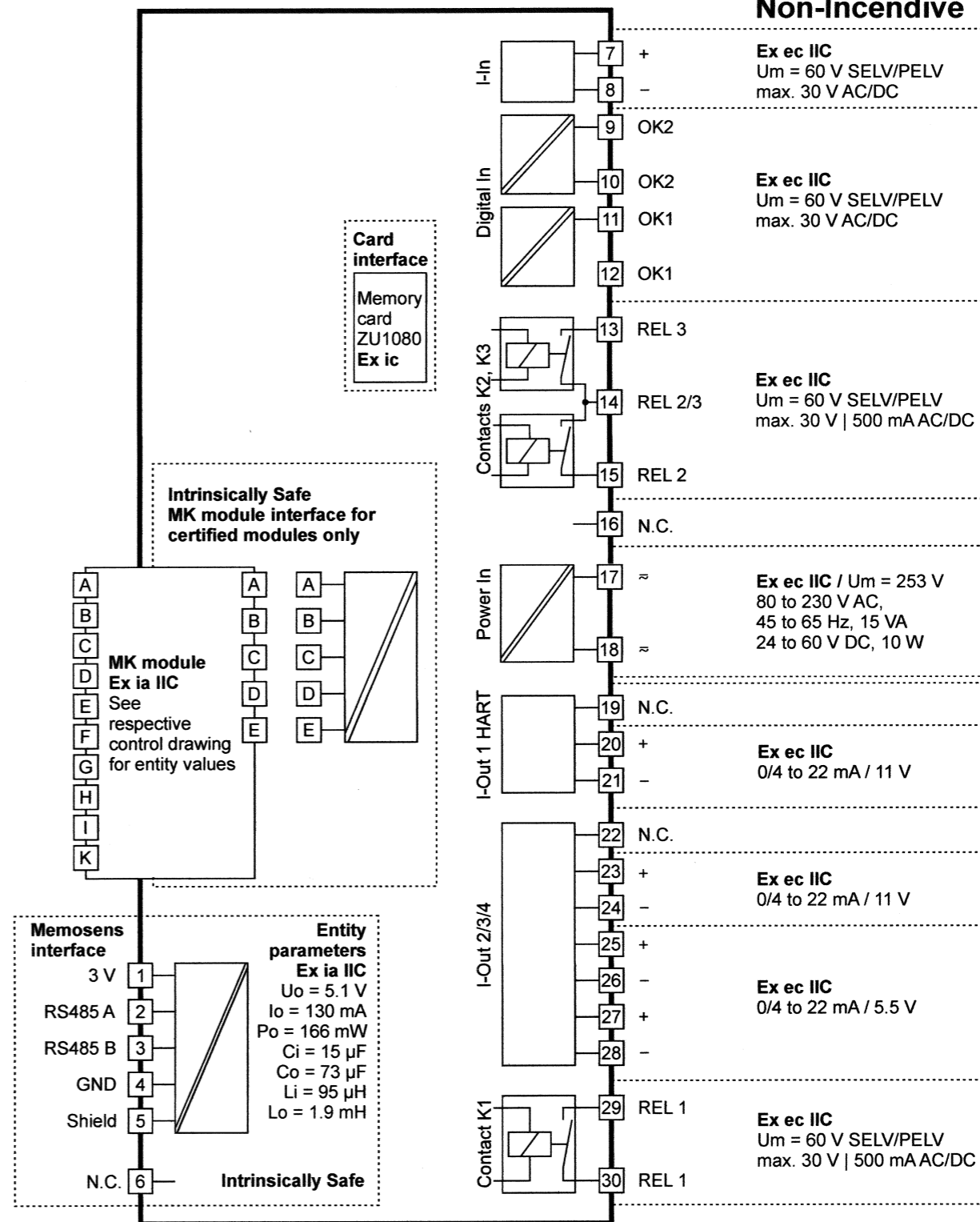
WARNING - SUBSTITUTION OF COMPONENTS MAY IMPAIR INTRINSIC SAFETY
AVERTISSEMENT - LA SUBSTITUTION DE COMPOSANTS PEUT COMPROMETTRE LA SÉCURITÉ INTRINSÈQUE

CAUTION - To avoid damage to the case when connecting to a rigid metallic conduit system, the conduit hub must be connected to the conduit before the hub is connected to the enclosure.

CAUTION - Bonding between conduits is not automatic. Bonding must be provided by the installation. Use the supplied sheet metal jumper for this purpose.

Zone 2 or Division 2 or Unclassified Area

Non-Incendive



Zul. Abweichungen für Maße ohne Toleranzangabe		Maßstab	
Datum		Zulassung cFMus FM21US0078 FM21CA0052	
Name		Benennung	
Stratos Multi E401X		Control drawing	
Geprüft		Zeichnungsnummer	
212.502-100		Blatt	
2		Bl.	
1 FM-Marking, Zertifikatsnummern		28.09.21 kmn	
Nr.		Änderungen	
Datum		Bearb.	
Freigabe		Elektronische Messgeräte GmbH & Co. KG	



The reproduction, distribution and utilization of this document as well as the communication of its contents to others without explicit authorization is prohibited.

Weitergabe sowie Vervielfältigung dieses Dokuments, Verwertung und Mitteilung seines Inhalts sind verboten, soweit nicht ausdrücklich erlaubt.